



RegenTAP: Data Diode

10M/100M/1000M (1G) | Portable



Data Diode Network TAPs are purpose-built hardware tools that allow raw data to travel only in one direction, used in guaranteeing information security or protection of critical digital systems, such as industrial control systems, from inbound cyber attacks.

Data Diodes are specifically design not to send traffic back onto the network.

A data diode, also referred to as a unidirectional network or unidirectional gateway, is a network appliance or device that allows data to travel in only one direction. Data diodes can be found most commonly in high security environments, such as federal defense and Industrial IoT, where they serve as connections between two or more networks of differing security classifications. This technology can now be found at the industrial control level for such facilities as nuclear power plants, power generation and safety critical systems like railway networks.

Key Features

Supports regeneration/SPAN, tap breakout or aggregation

Portable, Plug-and-Play design - or - 1U rack mount holds up to 4 TAPs

- Easy configuration; switches on back of TAP
- Physically forces traffic to flow in a single direction.

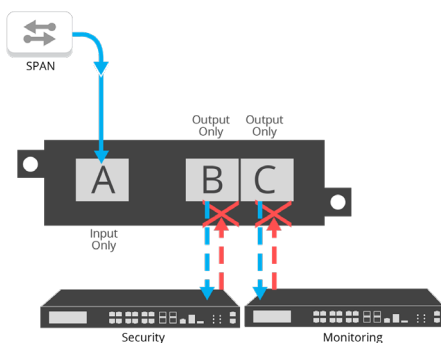
• Can protect the source of data streams like switch SPAN ports and network links between networks that have different security requirements.

Packet Injection becomes impossible.

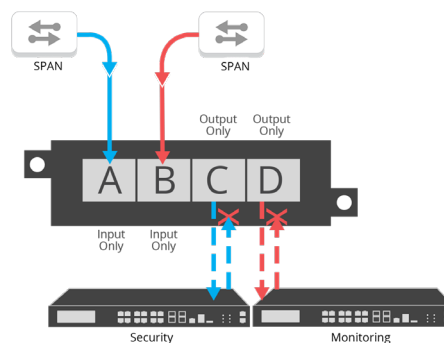
• Network traffic control is enforced at the physical level.

• Made, tested and certified in the USA

Network Flow



Data diode single flow



Data diode dual flow

APPLICATIONS:

- Network & Application Monitoring
- Network & Application Analysis
- Network & Application Performance

SOLUTIONS:

Data Diode Network TAPs are ideal for:

- Intrusion Detection Systems
- Application Performance Monitoring
- Lawful Interception
- Packet Capture
- Deep Packet Inspection
- Network Analyzer
- Forensics

Competitive Edge

Noiseless operation. No moving parts.

Portable - A trouble-shooting tool kit must have.

• Tested and Certified




Have Questions?


sales@garlandtechnology.com
+716.242.8500
garlandtechnology.com

Data Diode Network TAPs

10M/100M/1000M (1G) | Portable

Model #	Network Speed	Media		Modes				
		Network	Monitor	Breakout	Aggregation	Regen	Bypass	Flow
RMP-1U			1U Rack Mount Kit - Hold up to 4 Portable TAPs					
CTAP-P1GCCREG	10/100/1000M	2 Copper-RJ45	2 Copper-RJ45	No	No	Yes	No	Dual
P1GCCAS-Custom	10/100/1000M	2 Copper-RJ45	2 Copper-RJ45	No	No	Yes	No	Single

Network TAPs Designed with Data Diodes

Model #	Network Speed	Media		Modes			
		Network	Monitor	Breakout	Aggregation	Regen	Bypass
RMP-1U			1U Rack Mount Kit - Hold up to 4 Portable TAPs				
PT100	10/100M	2 Copper-RJ45	2 Copper-RJ45	Yes	No	No	No
P1GCCB	10/100/1000M	2 Copper-RJ45	2 Copper-RJ45	Yes	No	No	No
P1GCCAS	10/100/1000M	2 Copper-RJ45	2 Copper-RJ45	Yes	Yes	Yes	No
P1GMCA	1G	2 SX Multi-mode Fiber-LC	2 Copper-RJ45	Yes	Yes	Yes	No
P1GMSA	1G	2 SX Multi-mode Fiber-LC	2 SFP	Yes	Yes	Yes	No
P1GSCA	1G	2 LX Single-mode Fiber-LC	2 Copper-RJ45	Yes	Yes	Yes	No
P1GSSA	1G		2 SFP	Yes	Yes	Yes	No
P100FXCA	1G		2 Copper-RJ45 100/1000M (1G)	Yes	Yes	Yes	No

Additional Specifications

Dimensions (HxWxD): 1.15" x 3.9" x 6.5"

(29.21mm x 99.06mm x 165.10mm)

Weight: 0.7 lbs (0.3175 kg)

Ambient Temperature: 0C to +40C / +32F to +104F

Storage Temperature: -20C to +70C / -4F to +158F

Voltage: 5VDC

Current (nominal): 1.6 Amps

Maximum consumption: 8 Watts

Humidity: 90% non-condensing



This document is for informational purposes only. The information in this document, believed by Garland Technology to be accurate as of the date of publication, is subject to change without notice. Garland Technology assumes no responsibility for any errors or omissions in this document and shall have no obligation to you as a result of having made this document available to you or based upon the information it contains. ©2019 Garland Technology LLC. All Rights Reserved