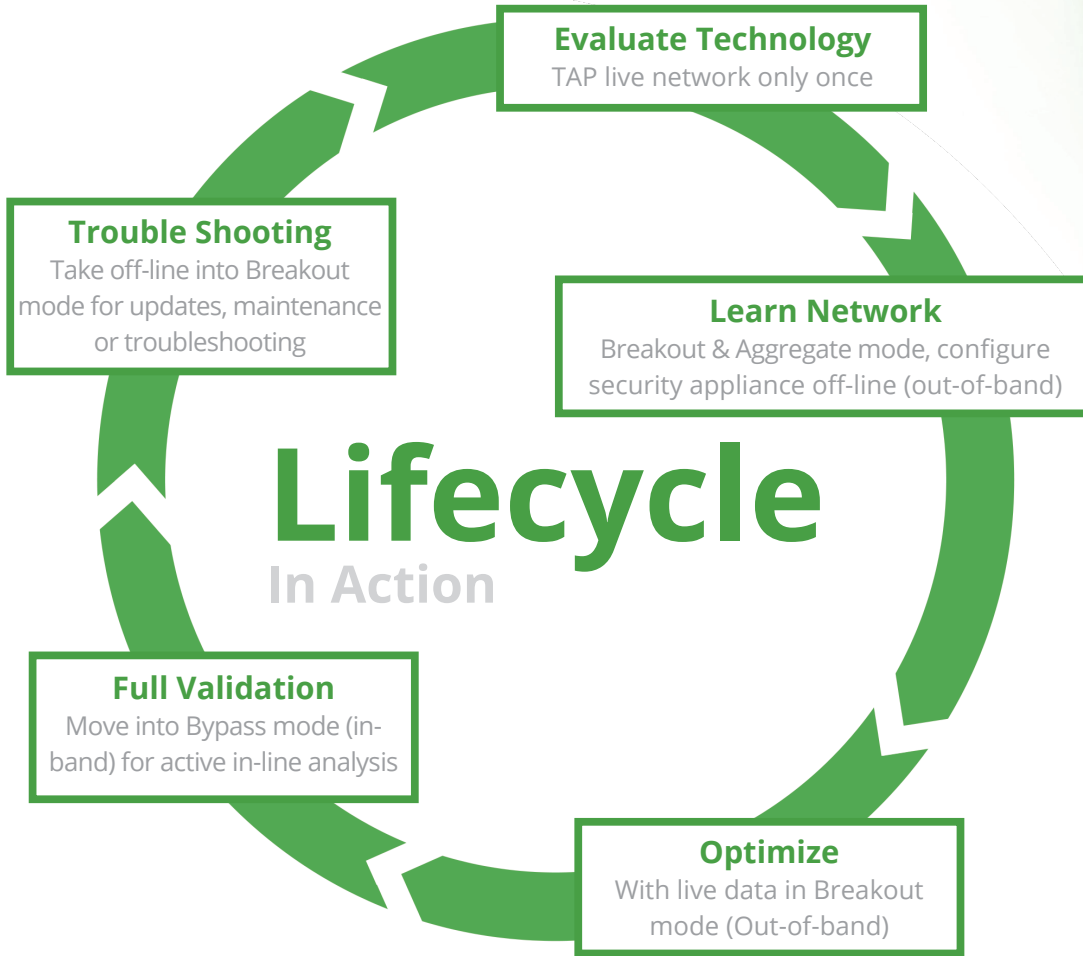


A Best Practice Guide

For deploying and managing your in-line appliances.



Why does Cisco partner with Garland Technology as their bypass network TAP vendor?

To ensure 100% uptime and visibility for active in-band security appliances.

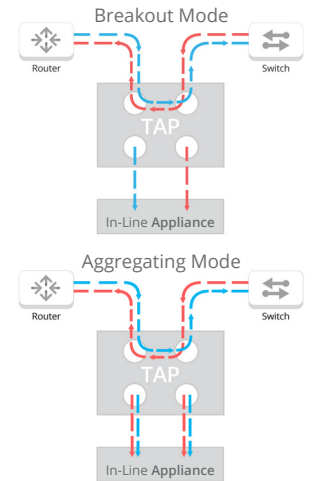
Network Bypass TAPs have a variety of features, including the ability to go from breakout, aggregating, regenerating and bypass modes meeting your needs today and tomorrow.



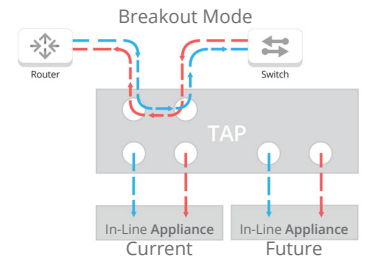
Advantages

- Network uptime
- Expedited problem resolution
- Anytime access to inline appliance
- Peace of mind

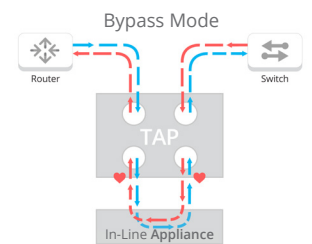
Evaluate and Learn



Optimize



Validation



Trouble Shooting

